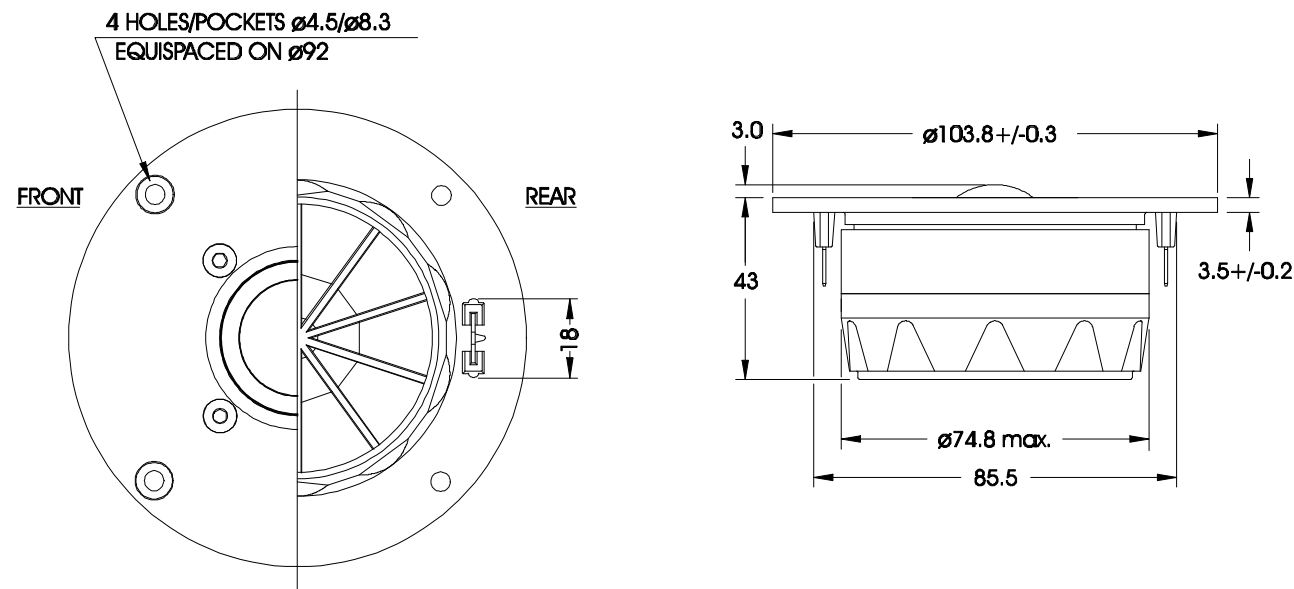


TWEETER

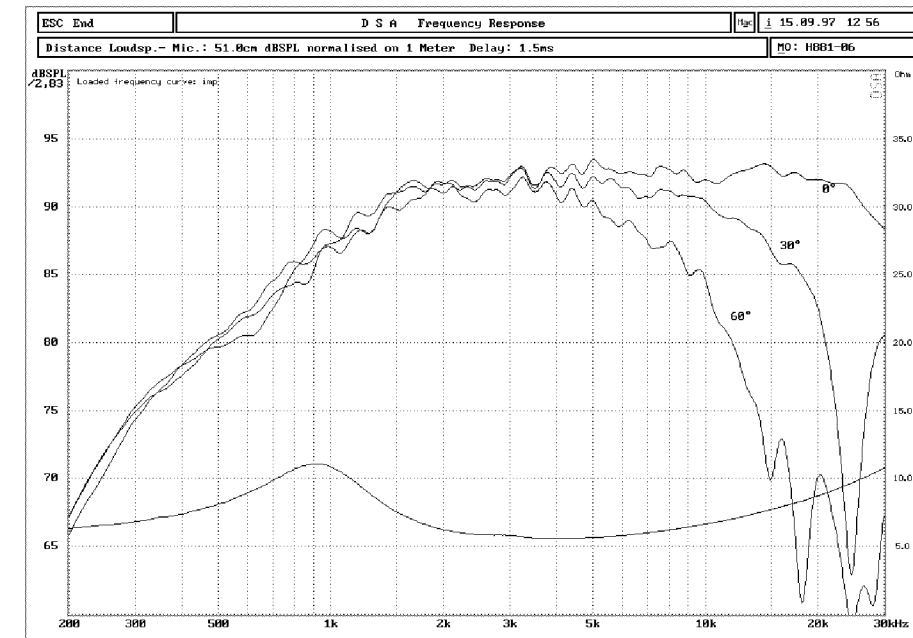
27TFFC



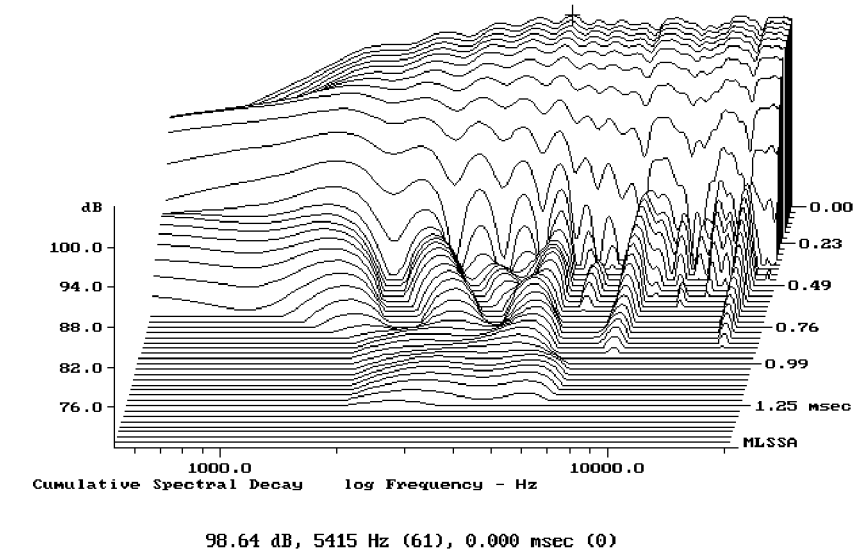
27mm High Definition soft dome tweeter with diaphragm and integral surround made from SONOLEX, a precoated lightweight fabric material developed by SEAS. Combined with SEAS` unique diaphragm production technology, this material gives superior high frequency response and consistency compared with traditional methods and materials. Furthermore, a very high degree of stability against changes in air temperature and humidity is achieved. The voice coil is wound on an aluminium voice coil former with adequate ventilating holes to eliminate noise from internal air flow. The voice coil is immersed in low viscosity magnetic fluid, for high power handling capacity and simplified crossover design. A stiff and stable rear chamber with optimal acoustic damping allows 27TFFC to be used with moderately low crossover frequencies. The chassis is precision moulded from glass fibre reinforced plastic, and its front design offers optimum radiation conditions.

NOTES

Response curve recorded in anechoic chamber (Free-field, 4 pi radiation) with 0.5m microphone distance. The loudspeaker is mounted in a 0.6m by 0.8m baffle.



Cumulative spectral decay



NOMINAL IMPEDANCE	6 Ohms	VOICE COIL RESISTANCE	4.8 Ohms
RECOMMENDED FREQUENCY RANGE	2000-30000 Hz	VOICE COIL INDUCTANCE (EQUIVALENT)	0.05 mH
SHORT TERM MAXIMUM POWER*	200 W	VOICE COIL DIAMETER	26 mm
LONG TERM MAXIMUM POWER *	80 W	VOICE COIL HEIGHT	1.5 mm
CHARACTERISTIC SENSITIVITY (1W, 1m)	91 dB SPL	MOVING MASS	0.25 g
OPERATING POWER (96 dB SPL, 1 m)	3.2 W	EFFECTIVE PISTON AREA	7.6 sq.cm
		LINEAR COIL TRAVEL (p-p)	0.5 mm
AIR GAP HEIGHT	2.0 mm	FREE AIR RESONANCE	900 Hz
MAGNETIC GAP FLUX DENSITY	1.8 T		
FORCE FACTOR	3.5 N/A		
MAGNET WEIGHT	0.25 Kg		
TOTAL WEIGHT	0.52 Kg		

* IEC 268-5, VIA HIGH PASS BUTTERWORTH FILTER:3000 Hz 12dB/oct.