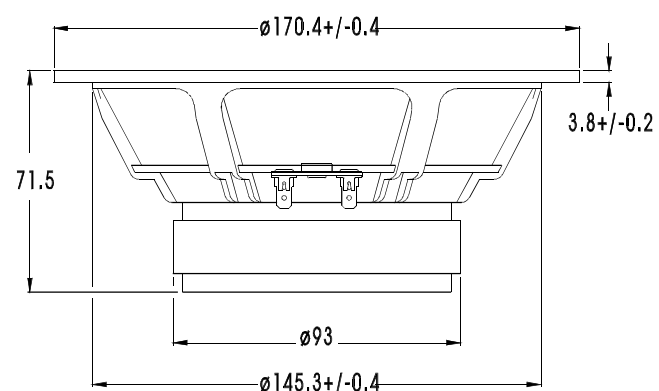
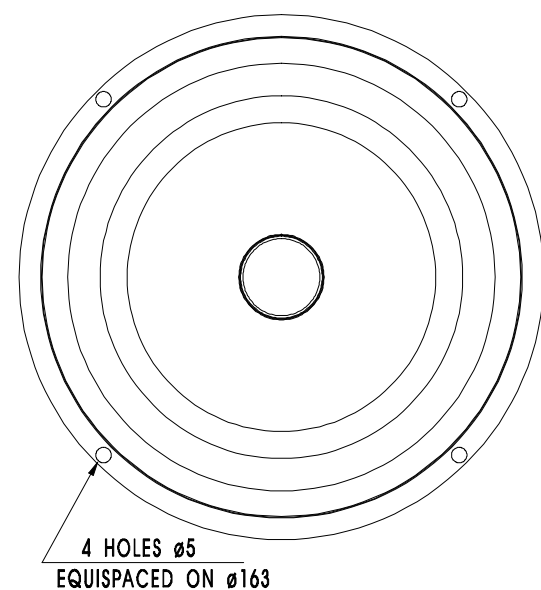


WOOFER

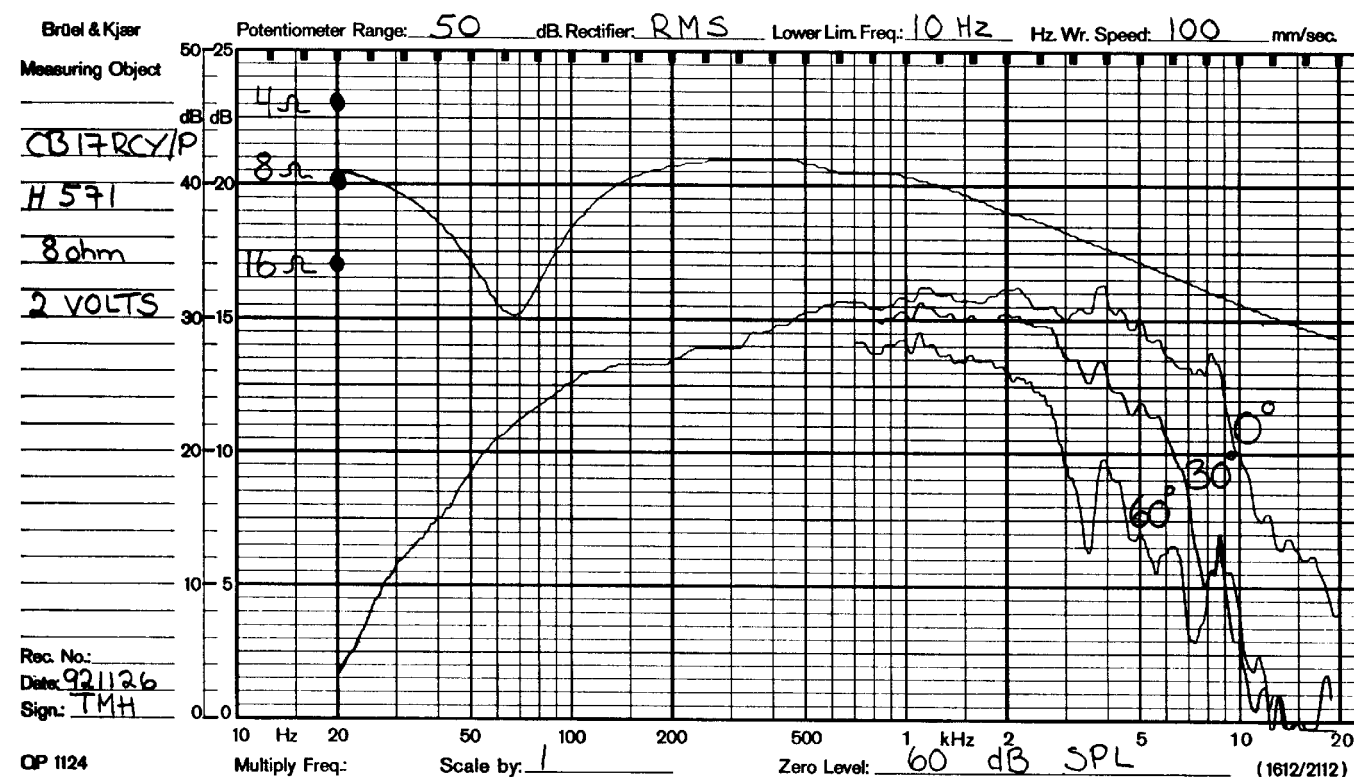
CB17RCY/P



CB17RCY/P is a 6.5" High Fidelity woofer with an injection moulded metal chassis. The high quality paper cone and high loss rubber surround give a smooth, accurate response which extends to 4000 Hz. The special treatment of the cone produces a well behaved roll off characteristic, which simplifies crossover design. The treatment of the cone also reduces potential resonance problems. A bullet shaped phase plug increases the power handling capacity, reduces compression due to temperature variations in the voice coil and eliminates problems with resonances which would occur in the volume between the dust cap and the pole piece. A high temperature voice coil wound on an aluminium voice coil former gives a high power handling capacity. The extra large magnet provides extra sensitivity and low Q.

NOTES

Response curve recorded in anechoic chamber (Free-field, 4 pi radiation) with 0.5m microphone distance. The loudspeaker is mounted in a closed box of 12 l net volume.



NOMINAL IMPEDANCE	8 Ohms	VOICE COIL RESISTANCE	5.7 Ohms
RECOMMENDED FREQUENCY RANGE	40-4000 Hz	VOICE COIL INDUCTANCE (EQUIVALENT)	0.65 mH
SHORT TERM MAXIMUM POWER *	250 W	FORCE FACTOR	6.6 N/A
LONG TERM MAXIMUM POWER *	75 W	FREE AIR RESONANCE	38 Hz
CHARACTERISTIC SENSITIVITY (1W,1m)	91 dB SPL	MOVING MASS	10 g
OPERATING POWER (96 dB SPL ,1 m)	3.2 W	AIR LOAD MASS IN IEC BAFFLE	1.0 g
		SUSPENSION COMPLIANCE	1.8 mm/N
VOICE COIL DIAMETER	26 mm	SUSPENSION MECHANICAL RESISTANCE	2.0 Ns/m
VOICE COIL HEIGHT	12 mm	EFFECTIVE PISTON AREA	125 sq.cm
AIR GAP HEIGHT	6.0 mm		
LINEAR COIL TRAVEL (p-p)	6.0 mm	VAS	34.9 Litres
MAXIMUM COIL TRAVEL (p-p)	16 mm	QMS	1.31
MAGNETIC GAP FLUX DENSITY	1.15 T	QES	0.34
MAGNET WEIGHT	0.42 Kg	QTS	0.27
TOTAL WEIGHT	1.41 Kg		

* = IEC 268-5