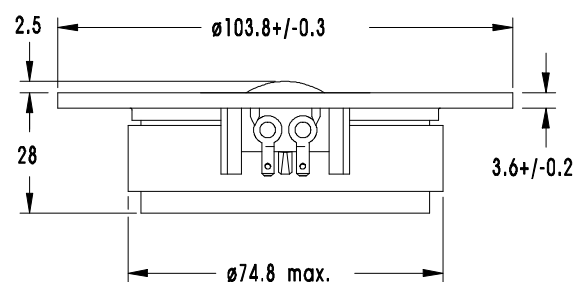
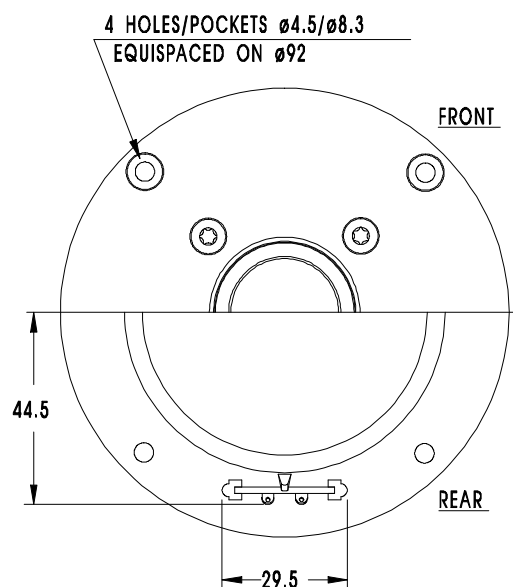


TWEETER

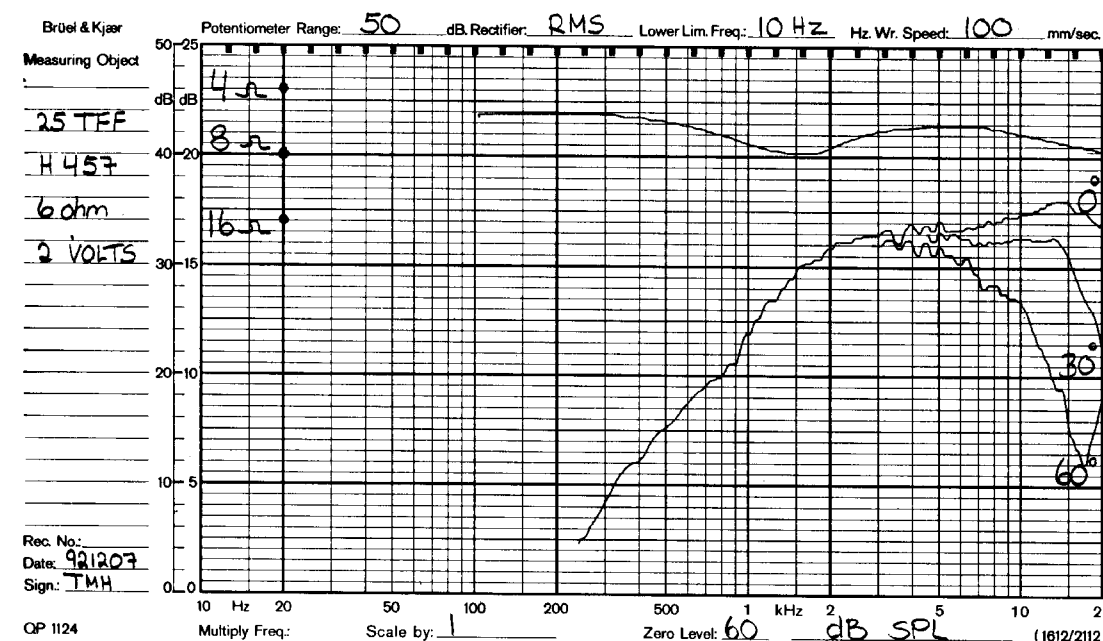
25TFF



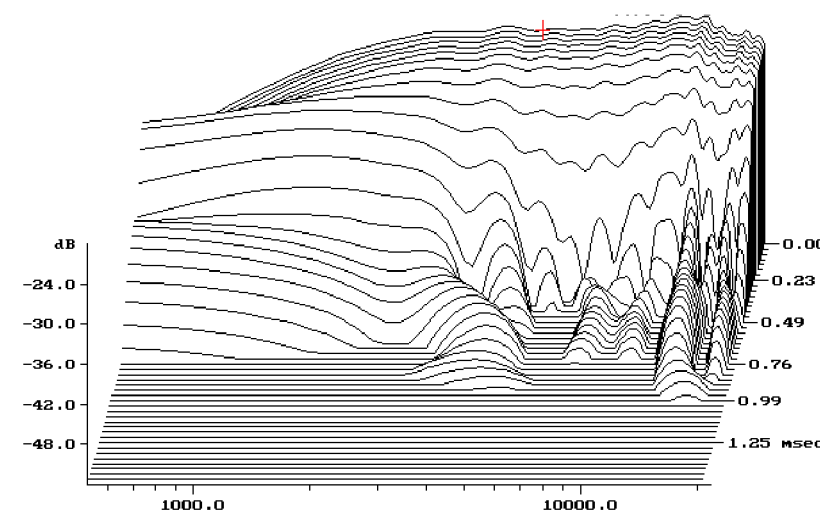
25mm High Fidelity dome tweeter with glass fibre reinforced plastic chassis. The diaphragm is vacuum formed from a precoated fabric. This unique SEAS technology gives a vast improvement in consistency compared with other coating methods. Careful matching of fabric and coating results in a very smooth frequency response throughout the audible frequency range and gives a very high degree of stability against changes in air temperature and humidity. The voice coil is immersed in magnetic fluid, allowing high power handling capacity and simplified crossover design.

NOTES

Response curve recorded in an anechoic chamber (Free-field, 4 pi radiation) with 0.5m microphone distance. The loudspeaker is mounted in a 0.6m by 0.8m baffle.



Cumulative spectral decay



NOMINAL IMPEDANCE	6 Ohms	VOICE COIL RESISTANCE	4.8 Ohms
RECOMMENDED FREQUENCY RANGE	3000-25000 Hz	VOICE COIL INDUCTANCE (EQUIVALENT)	0.05 mH
SHORT TERM MAXIMUM POWER*	220 W	VOICE COIL DIAMETER	26 mm
LONG TERM MAXIMUM POWER*	90 W	VOICE COIL HEIGHT	1.5 mm
CHARACTERISTIC SENSITIVITY (1W, 1m)	91 dB SPL	MOVING MASS	0.30 g
OPERATING POWER (96 dB SPL, 1 m)	3.2 W	EFFECTIVE PISTON AREA	7.0 sq.cm
		LINEAR COIL TRAVEL (p-p)	0.5 mm
AIR GAP HEIGHT	2.0 mm	FREE AIR RESONANCE	1400 Hz
MAGNETIC GAP FLUX DENSITY	1.8 T		
FORCE FACTOR	3.5 N/A		
MAGNET WEIGHT	0.25 Kg		
TOTAL WEIGHT	0.50 Kg		

* IEC 268-5, VIA HIGH PASS BUTTERWORTH FILTER: 3500 Hz 12 dB/oct.