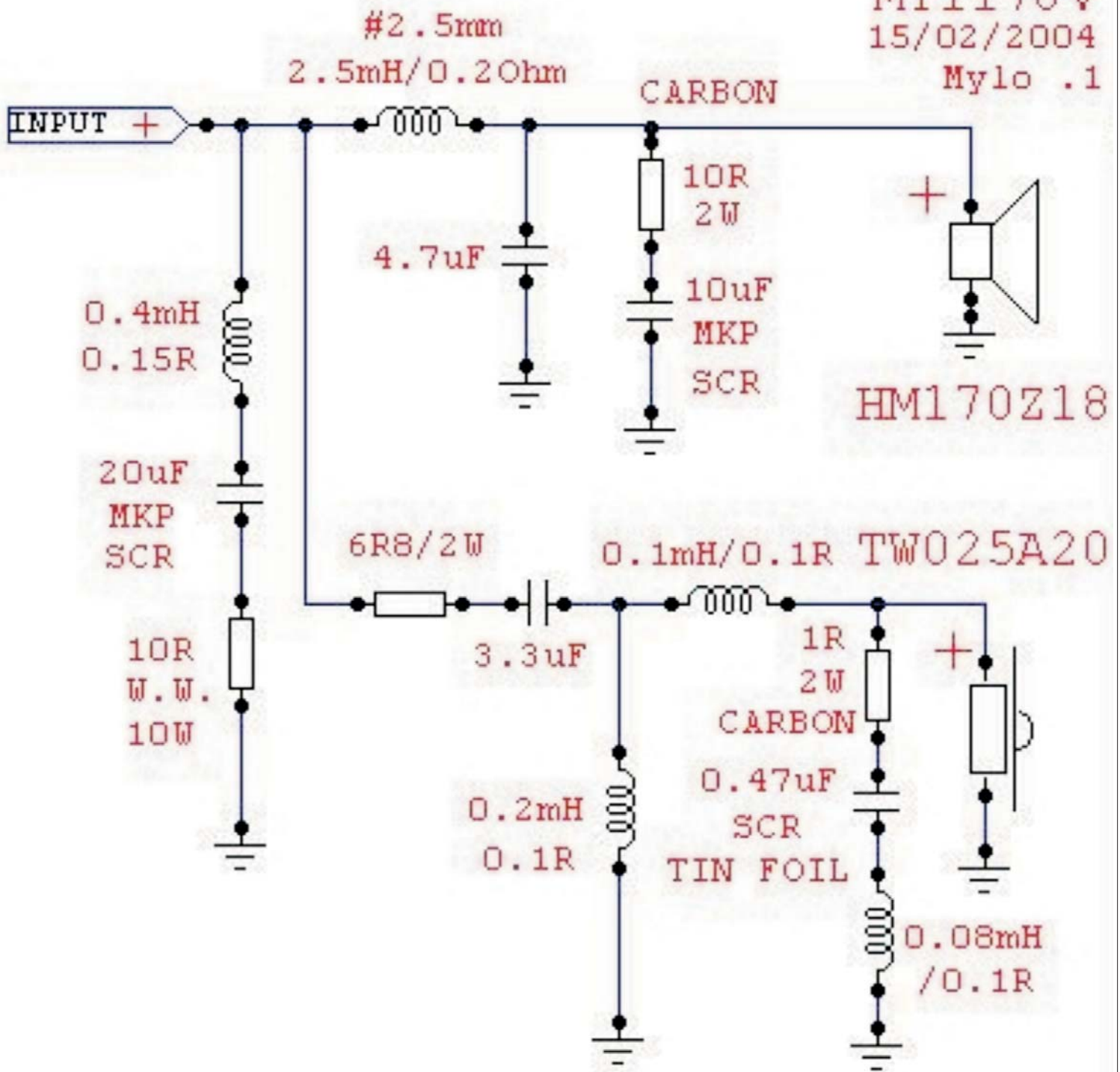


MT117JV
15/02/2004
Mylo .1



Copyright : M.Tzortzakis, Athens,
Greece / 2004. This is a proprietary
information not to be edited,trans-
mitted or reproduced without prior
notice and the written permission
of the owner.

MYLO, crossover network

Drawing : Y12-200/00 - 030 Rev : A

Date of Issue : 15/02/04 Page : 1 of 1